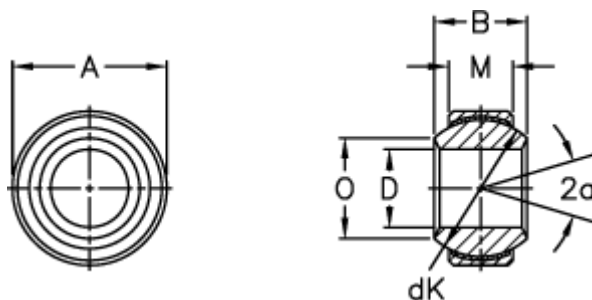


Article number: 03507015

Description: Fluro Rod end GE 15FW

Measures



A	= 30 0 -0,009	Tilt angle = 16
B	= 16	Weight = 49
D	= 15 0 -0,008	
dK	= 25	
Dynamic load C (kN)	= 22.4	
M	= 10	
O	= 19.2	
Static load C0 (kN)	= 56	